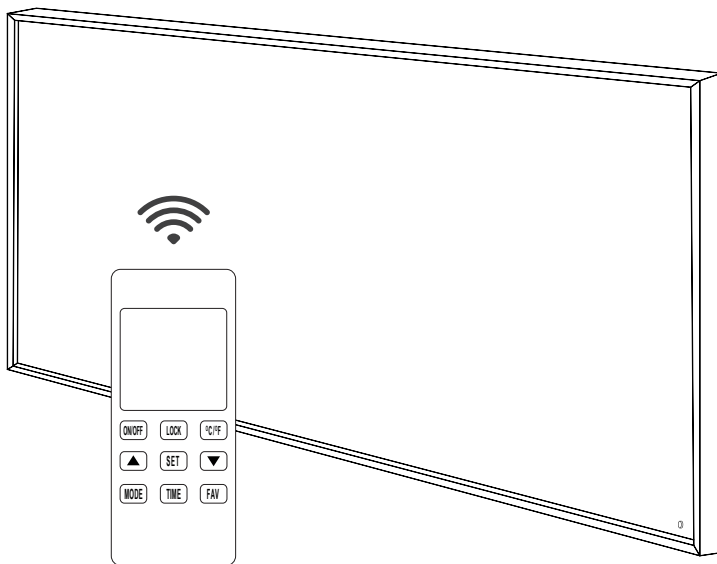


MIRRORSTONE

INFRARED HEATING

INFRARED PANEL HEATER



INSTRUCTION MANUAL

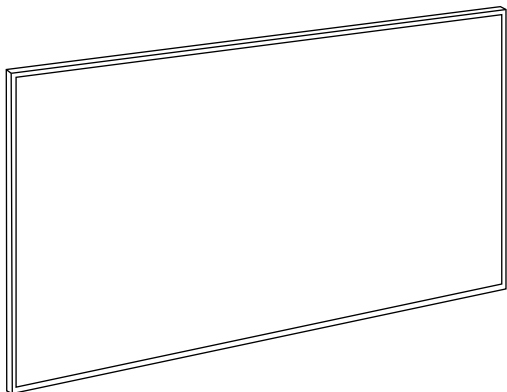


CONTENTS

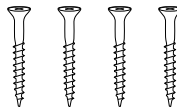
1. INCLUDED IN THE BOX	4
2. MODEL SPECIFICATIONS	4
3. REMOTE CONTROL/BUILT IN RECEIVER	5
4. WARNINGS & PRECAUTIONS	6
5. FEATURES	8
6. TECHNICAL DATA	8
7. PANEL STRUCTURE	9
8. MOUNTING & INSTALLATION	9
9. OPERATION OF REMOTE & RECEIVER	11
10. GETTING STARTED	11
11. BASIC FUNCTIONS	12
12. LCD DISPLAY	14
13. TIMER & TEMPERATURE SETTINGS	14
14. SMART START	15
15. OPEN WINDOW MODE	16
16. MAINTENANCE & SERVICING	17
17. DISPOSAL	17

INCLUDED IN THE BOX

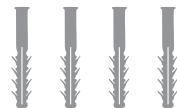
a.



b.



c.



d.



a. – Infrared Heater

b. – Screws

c. – Wall Plugs

d. – Mounting Template

MODEL SPECIFICATIONS

Available Sizes	Rated Power	Amps	Heated Area
295mm x 595mm	180W	0.75A	2 - 3m ²
295mm x 1195mm	350W	1.4A	5 - 6m ²
595mm x 595mm	350W	1.4A	5 - 6m ²
595mm x 995mm	580W	2.5A	9 - 10m ²
595mm x 1195mm	700W	3A	11 - 12m ²
795mm x 1195mm	900W	3.9A	15 - 16m ²
995mm x 1195mm	1100W	5.2A	19 - 20m ²

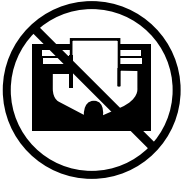
REMOTE CONTROL

- Battery powered: DC 3V (2 x 1.5V AAA Batteries, not included).
- Power consumption: 3V, 0.1mA.
- Dimensions: 135mm length x 56mm width x 18mm depth.
- Weight: 86g.
- Thermostat target temperature range: 0°C – 45°C (32°F – 113°F).
- Temperature resolution: $\pm 1^{\circ}\text{C}$.
- Thermostat current temperature range: 1°C – 45°C (Displayed at 0.1°C increments).
- Accuracy of measured temperature: $\pm 0.5^{\circ}\text{C}$.

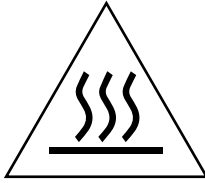
BUILT IN RECEIVER

- Power Supply: AC 220-240V, 50/60Hz.
- Power Consumption: 0.4W.
- Two integrated rocker switches: mains on/off, and remote control on/off.

WARNINGS & PRECAUTIONS



No Covering



Do Not Touch



Do Not Spray

1. **WARNING:** To prevent it from overheating, please do not cover the heating panel with anything.
2. The heating panel must not be installed directly below a mains socket.
3. **WARNING:** Please do not use the heating panel if it has sustained any kind of damage.
4. Those under the age of 8 should not use the panel heater, nor should those who have reduced physical, sensory or mental capabilities, or those who have a lack of experience and knowledge unless they have been given adequate instructions on how to safely operate the appliance, and understand the hazards involved.
5. Cleaning and maintenance should not be carried out by children under any circumstances.
6. Children under the age of 3 should be kept away from the heating panel unless continuously supervised.
7. Children aged between the ages of 3 and 8 shall only operate the heating panel provided it has been installed in its recommended position, and are being supervised or have had instructions regarding how to use the appliance safely and understand all hazards involved.

8. Please do not use the heater if there is any damage to the power cord. In the event of any damage, please get it replaced from the manufacturer, an authorised reseller, an authorised repair centre or similarly qualified electrician.
9. CAUTION: The panel heater will become hot during operation. Please pay attention when the appliance is on around children or other vulnerable people.
10. WARNING: Do not install the heating panel close to curtains or other objects that may be highly combustible.
11. To prevent burns or injuries related to prolonged contact with the heating panel, children, those who suffer from sensitive skin, the elderly, the sick or those who are taking any medication that causes drowsiness should take extra care around the appliance.
12. Do not damage, destroy, change, bend, stretch or press the power cord, otherwise it may result in fire or electric shock.
13. Ensure that the usage voltage remains between 220-240V, 50Hz and that the power supply is grounded.
14. The heating panels will draw more current than small appliances when in operation, and will require a separate 5A socket as a result.
15. Keep the heating panel away from flammable products to prevent the risk of fire.
16. Do not place the heating panel against surfaces or materials that are flammable or can melt, such as wood, straw, curtains, plastics, etc.
17. Please ensure that there are no objects placed within 30cm of the front of the panel, and within 10cm of the sides of the panel. Please do not jump or stand on the panel, or apply strong pressure to it.
18. Never cover the heater with any materials that retain heat well, such as towels, quilts or carpets, etc.
19. Be sure to unplug the power cord from the mains in the event that you need to clean the heating panel, and wait until it has completely cooled down. Please ensure that you use a dry cloth, and avoid using gasoline or acetate on the appliance.

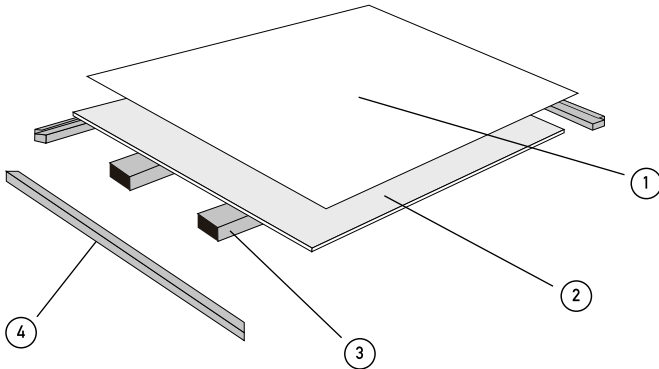
FEATURES

- This infrared panel heater has been designed to provide an efficient, comfortable and healthy heating solution for all domestic users and homeowners.
- The infrared panel heaters can reduce air circulation and help create and maintain a clean, silent and dust free environment.
- All infrared panel heaters should be either wall or ceiling mounted.
- Free standing installation on the floor will require the use of the separately sold panel stand.
- A wide range of panels are available in varying sizes, wattages and frames.

TECHNICAL DATA

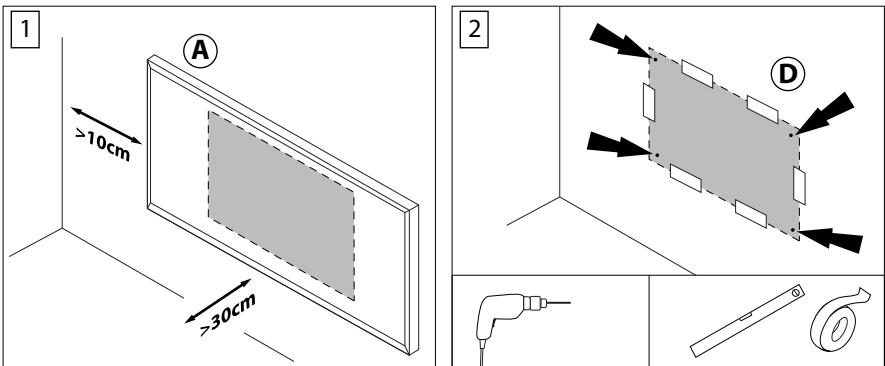
Heating Element	Carbon Crystal
Voltage	220-240V /50Hz
Surface Temperature	75-95°C
Frame	Aluminium
Back Material	Aluminium
Front Material	Aluminium

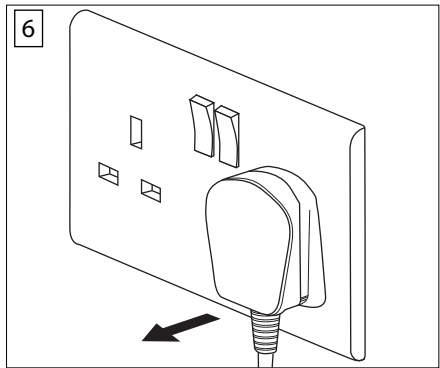
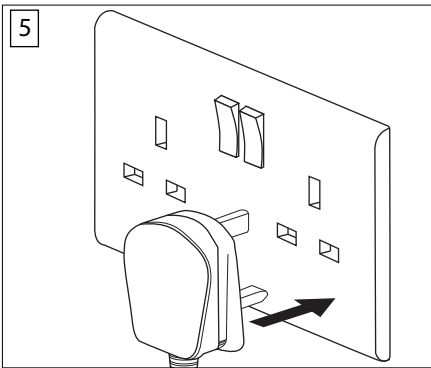
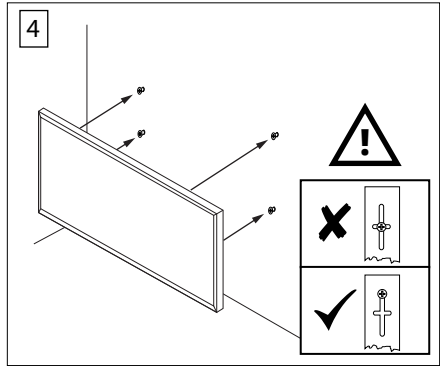
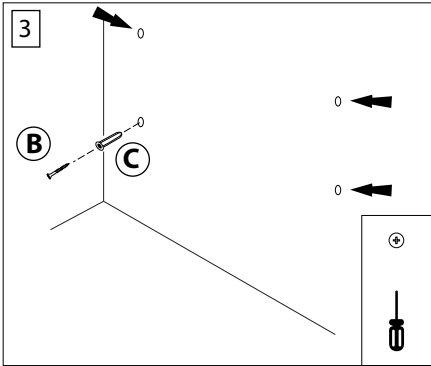
PANEL STRUCTURE



- 1 - Heating Panel Surface
- 2 - Insulation Gap
- 3 - Aluminium Alloy Hanging Bracket
- 4 - Aluminium Alloy Frame

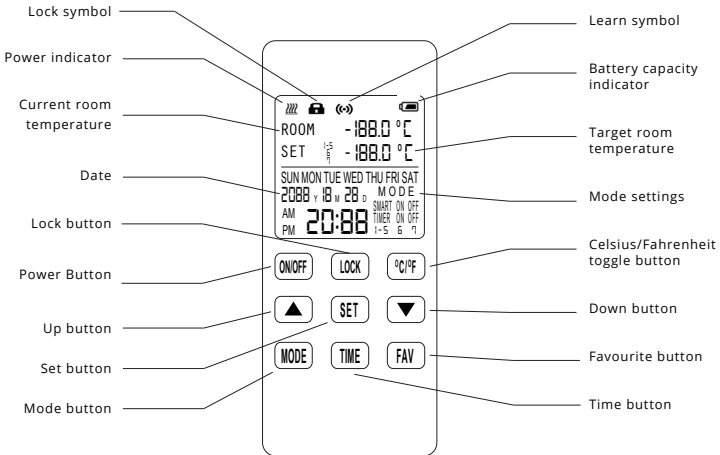
MOUNTING & INSTALLATION





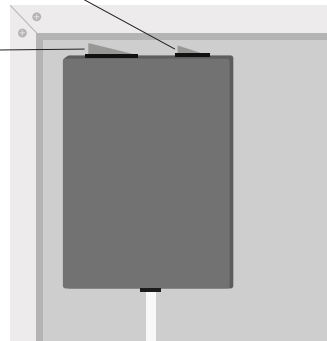
1. Locate where you want to mount your panel, ensuring you keep adequate distances from walls and objects.
2. Use the drilling template (D) on the wall, and drill the holes in the correct places.
3. Insert the wall plugs (C) into the wall.
Place the screws (B) in the wall plugs.
The screws should protrude from the wall by approximately 5mm.
4. Hang up the heating panel (A) on the wall using the brackets on the back of the appliance.
5. Plug the heating panel into the mains using the power cord.
6. When not in operation, pull the plug from the mains socket.

OPERATION OF REMOTE & INTEGRATED RECEIVER



(Green) disable remote switch

(Red) on/off toggle switch



GETTING STARTED

- Included with each panel is a remote controller with an LCD digital display. This features an integrated room temperature sensor located at the top of the remote.
- At the back of the panel itself is the integrated receiver that communicates with the remote controller. On this receiver are two

rocker switches. The red switch toggles the panel on and off, while the green switch toggles the remote control on and off (when the green switch is on, the remote will not work, and when the green switch is off, the remote will be in operation).



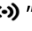

- After having plugged in your IR Panel, ensure that the red switch at the back of the panel is in the 'on' position, and the green switch is in the off position.
- Insert 2 x AAA batteries into the remote, and press the 'On/off button' to switch the remote on.
- Hold down the 'Mode button' and '°C/°F button' together for 3 seconds to pair the remote with the panel. Once it has been paired, you will hear a beep from the receiver on the back of the panel.
- You can repeat this process to pair the same remote to multiple heaters. Please ensure that any heaters you do not want to be paired are switched off from the mains.
- When the green switch is off, the controller measures the current room temperature using the integrated sensor, and then sends this to the receiver on the back of the panel. The IR Panel then switches on and off to maintain the temperature you set on the remote controller.

BASIC FUNCTIONS

- Press the 'Heater on/off button' to switch the heater on or off.
- Press the 'Celsius/Fahrenheit toggle button' to change between Celsius and Fahrenheit temperature displays.
- Hold down the 'Lock button' for 3 seconds to lock the remote buttons, and hold it again for 3 seconds to unlock the remote buttons.

- Pressing the 'Up button' will increase the target room temperature, and pressing the 'Down button' will decrease the target room temperature. When the current room temperature is 0.5°C higher than the temperature you've set, the IR Panel will switch off, and when the current room temperature is 0.5°C lower than the temperature you have set, the IR Panel will switch on.
- Holding down the 'Time button' for 3 seconds allows you to set the year, month, date and time using the 'Up button' and 'Down button'. Pressing the 'Time button' confirms the year setting, and lets you change the month. Repeating this process allows you to complete the full date and time settings.
- Holding down the 'Mode button' for 3 seconds allows you to toggle the Timer functions and Smart Start on or off using the 'Up button' and 'Down button'. Please note that upon the first time using the remote, both Timer and Smart will be set to 'Off'. The numbers '1-5' that flash on the bottom right of the display refer to Monday-Friday. Pressing the 'Mode button' confirms whether the timer will be on for the weekdays, at which point a '6' (that refers to Saturday) will begin to flash. Repeat the process for the '7' (which refers to Sunday), before pressing the 'Mode button'. Now you can toggle the Smart Start on or off using the 'Up button' and 'Down button'. Pressing the 'Mode button' finalises your Smart Start setting.
- Pressing the 'Favourite button' will change the target room temperature to the favourite temperature. By default, this is set to 20°C.

LCD DISPLAY

- The “” symbol indicates when the IR Panel is on, so when the current room temperature falls 0.5°C lower than the target room temperature, this symbol will appear on the controller screen, and the heater will switch on.
- The “” symbol indicates that the buttons on the remote controller are locked. Holding down the ‘Lock button’ for 3 seconds will unlock the buttons, and this symbol will disappear.
- The “” symbol indicates when the heater is ‘learning’ the difference between your current room temperature and your target room temperature when Smart Start is on.
- The “” symbol shows you the current battery level. It will begin to flash when the battery level is low. At this point, you will need to replace the batteries in the remote.

TIMER & TEMPERATURE SETTINGS

- Hold down the ‘Set button’ for 3 seconds, this will let you set the timer and temperature settings. Initially, you will be able to set the time you would like the heater to switch on for Monday to Friday (indicated by the flashing ‘1-5’ on the LCD display) – press the ‘Up button’ to adjust the hours, and the ‘Down button’ to adjust the minutes (in 15 minute increments).
- When you’re done, press the ‘Set button’. You can now set the time you would like the heater to switch off from Monday to Friday using the same method described above.

- Once you're done, press the 'Set button'. You can then set the temperature for Monday-Friday using the 'Up button' and 'Down button'.
- Pressing the 'Set button' will allow you to use the same process to set the time and temperature settings for Saturday and Sunday (indicated by the flashing '6' and '7' respectively).

SMART START

- Once you're happy with your Timer and Temperature settings, you will then be able to set your Smart Start settings. Enabling this mode means that your panel will calculate the difference between the current room temperature and target room temperature 3 hours before it is scheduled to come on. Using this information, the panel will work out when it needs to switch in on order to have the room at your target temperature in time for when you've set it.
- So for example, if you have set your heater to switch on at 8:00am at a temperature of 21°C using the Smart Start, it will monitor the room temperature at 5:00am.
- Let's say your room temperature at 5:00am is 14°C, it will calculate the time it takes to get your room from 14°C to 21°C, and switch the panel on accordingly. It does this by adding 6 minutes for every degree Celsius required.
- As the heater needs to raise the room temperature by 7°C (the difference between 14°C and 21°C), it will account for 42 minutes (6 minutes for every degree Celsius, which in this case is 7), therefore switching your panel on at 7:18am (42 minutes before your on time of 8:00am).

- You can set the on and off times and target temperatures using the same methods described in the Timer and Temperature section. Once you are happy with your settings, press the 'Set button' to finish, at which point you can set your favourite temperature using the 'Up button' and 'Down button'. By default, the favourite temperature is set to 20°C.
- Provided your IR Panel is on at the mains and has the red switch in the on position, the panel and remote controller will switch on and off according to your Timer and Smart Start settings.

OPEN WINDOW MODE

- Inside the remote is an open window monitoring function. This is designed to minimise your energy consumption by switching your IR Panel off when it detects an open window.
- When the remote control detects a drop in temperature by 1.5°C or more within a 3 minute period, it will switch the IR Panel off – as having a heater on with an open window is incredibly inefficient.
- When the remote control detects a rise in temperature by 1.5°C or more within a 3 minute period, it will resume normal operation as a result of a closed window.

MAINTENANCE & SERVICING

- 1 - Always disconnect the appliance from the mains supply before cleaning.
- 2 - Clean the outside of the heater by wiping it with a dry cloth.
- 3 - Do not use petroleum, or any other detergent or chemical solvent to clean the heater.

DISPOSAL

Electrical appliances such as this infrared panel heater should not be disposed of with other household waste, and should be recycled at special facilities. Check with your local authorities or retailer for advice concerning disposal and recycling.



MIRRORSTONE

INFRARED HEATING



enquire@mirrorstoneheating.co.uk

www.mirrorstoneheating.co.uk

86 Scudamore Road, Leicester, LE3 1UQ

+44 (0) 116 436 2250