

MIRRORSTONE

INFRARED HEATING

HELIOS BAR HEATER MANUAL



MS-HEL-12J / MS-HEL-18J
MS-HEL-24J / MS-HEL-30J



MS-HELREM-12D / MS-HELREM-18D
MS-HELREM-24D / MS-HELREM-30D

*Remote control and Wi-Fi features ONLY available with remote control variant.



RoHS



CONTENTS

1. BEFORE USING YOUR HEATER FOR THE FIRST TIME	3
2. IMPORTANT SAFEGAURDS	3
3. INSTALLATION GUIDE	6
4. PRODUCT INSTRUCTION FOR HELIOS NON- REMOTE HEATERS	9
5. PRODUCT INSTRUCTION FOR HELIOS REMOTE CONTROLLABLE HEATERS	11
6. PAIRING YOUR REMOTE CONTROL HELIOS BAR HEATER TO YOUR WI-FI NETWORK	14
7. 7-DAY TIMER	15
8. WARNING	18

BEFORE USING YOUR HEATER FOR THE FIRST TIME

Please read all the instructions in this manual carefully, even if you have prior experience of using an infrared heater. This manual should be kept in a safe place for future reference. Should you need to make any kind of warranty claim with the manufacturer, you will need to make note of the complete model number (located on the product card at the back of the heater), the date on which you received the product, and your receipt of purchase.

The various ratings listed on the product card are based on specific loading tests performed in a controlled environment. Normal usage or use with other electrical equipment may result in different ratings.

Upon switching the heater on for the first time, you may notice a distinct smell and light smog. Please be aware that this is completely normal - this is simply the protective oils used on the element to protect it during production and transport burning off. Once the heater has been on in an open environment, any smell or smog will disappear over a short period of time.

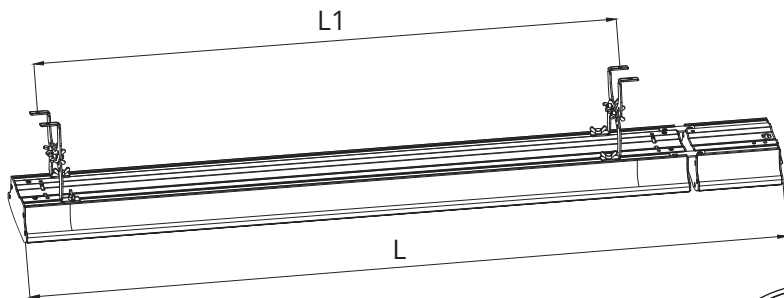
IMPORTANT SAFEGUARDS

- Please abide by the following safety precautions when using the heater, in order to minimise the risk of fire, electrical shock, injury or property damage:
- Please read all the instructions in this manual carefully, and keep it in a safe place for future reference.
- Use only the voltage specified on the product card located at the back of the heater.
- Do not obstruct the front of the heater, or block the entry or exit of any airflow. There should be a clearance of at least 1 meter around the front and sides of the heater.
- Do not use the product in close proximity to any other radiant heat source.
- Do not use the product in close proximity to gasoline, paint or any other highly flammable liquids.
- Take extra care to ensure that the heater has been off for at least 1 hour before touching it with bare skin or moving it to another location.
- Keep the heater away from all kinds of liquid, ensuring that it does not become immersed in any liquid, as this could create an electric shock.
- Do not use the heater if the plug, power cord, or connectors become damaged in any way. In the event of such an occurrence, please return the heater to a qualified electrician for examination, adjustment, service or repair.
- Do not touch the appliance with wet hands.

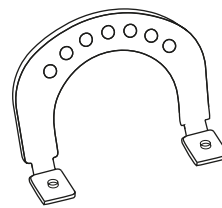
-
- The most common cause of overheating is dust or fluff deposits getting stuck in the heater. You can prolong the life and ensure the safety of your heater by disconnecting it regularly and vacuum cleaning the air vents and grilles.
 - Ensure that the product is installed away from windows as any rain may cause an electrical shock.
 - When cleaning the heater, only use a soft, damp cloth, and always ensure that the heater has been disconnected from the mains before cleaning. Do not use an abrasive cleaning cloth.
 - Do not connect to the mains supply until the heater has been completely installed.
 - Do not use the heater in the immediate vicinity of any baths, showers, swimming pools, or any other areas where there is an exceptionally large concentration of water.
 - Please let the surface of the heater cool down before moving it.
 - Do not tamper with the power cord while the heater is on.
 - Using an extension cord with this product is not recommended.
 - Please ensure that the power cord is disconnected when the heater is not on.
 - This heater isn't suitable for use near long pile carpets or flokati rugs.
 - Do not allow the power cord to come into contact with the heater when it is on.
 - Do not leave the power cord loose around walkways or corridors, as this could be a tripping hazard.
 - Do not twist, kink or wrap the cord around the heater, as this may cause the insulation to weaken and split.
 - Do not store the heater away while it is still hot.
 - The heater is not to be used by young children, the elderly or the disabled without supervision.
 - Do not install the heater directly above an electrical socket.
 - Do not use this heater with more than one programmer, timer, thermostat, or any other device that switches the heater on and off automatically (including the built-in thermostat on the remote controllable version).
 - The cover and casing are designed to protect the heating elements inside the heater, and should not be tampered with or opened under any circumstances.
Please adhere to the safety precautions detailed in this manual, in order to prevent any fire, electrical hazards or injuries.
 - The heater may be operated by children over the age of 8, those who suffer from reduced physical, sensory or mental capabilities, provided they are supervised or completely understand the operational and general hazards involved with using the heater. Children should not play with the heater, and should not carry out any cleaning or maintenance of the heater.
 - Children younger than 8 should not use the heater in any capacity, whether they are supervised or unsupervised.

-
- The outer surface of the heater can get very hot and cause burns if contact is made with the skin for prolonged periods of time. Please pay attention when children or vulnerable people are present.
 - The heater should be installed at a minimum of 2.2 metres from the floor.
 - Should the power cord become damaged, it must be returned to the manufacturer, or be repaired by a qualified electrician.
 - The heater should not be used in confined spaces with occupants who are unable to leave the room on their own.

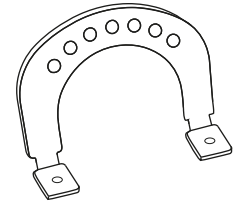
INSTALLATION GUIDE



Model	L (mm)	L1 (mm)
MS-HEL-12J MS-HELREM-12D	940	707
MS-HEL-18J MS-HELREM-18D	1240	1007
MS-HEL-24J MS-HELREM-24D	1540	1307
MS-HEL-30J MS-HELREM-30D	1840	1607

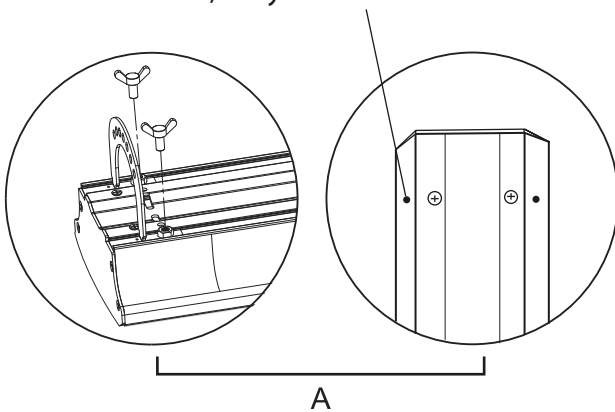


2x Brackets with notch

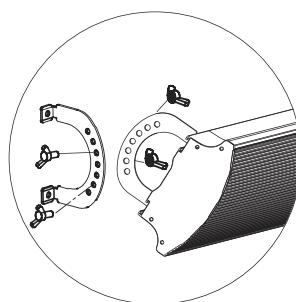
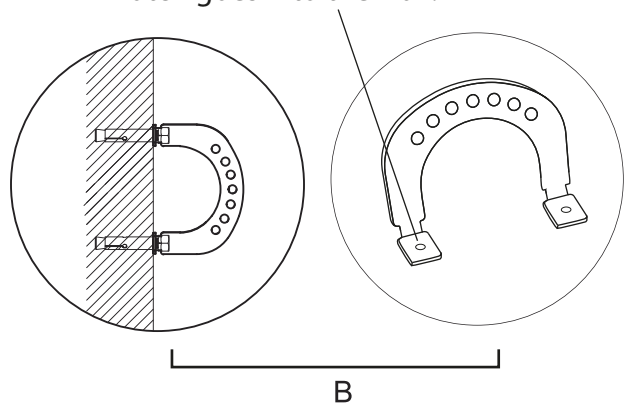


2x Brackets without notch

These holes at the back of the bar heater are not for the screws, they allow air to flow.



The brackets have a notch, the one with the notch goes into the bar heater, without the notch goes into the wall.

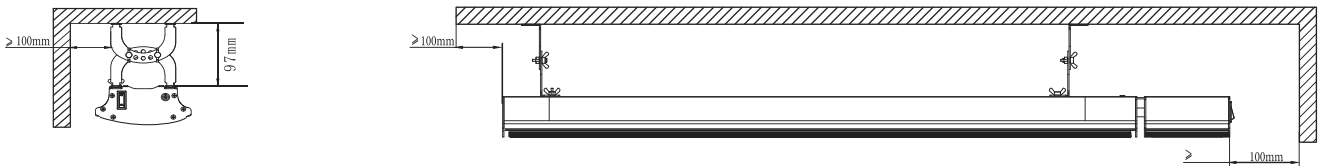


Step One: Use the screws provided to install two of the brackets to the back of the heater, as shown in Fig. A.

Step Two: Use the screws provided to install two of the brackets to the wall or ceiling, as shown in Fig. B.

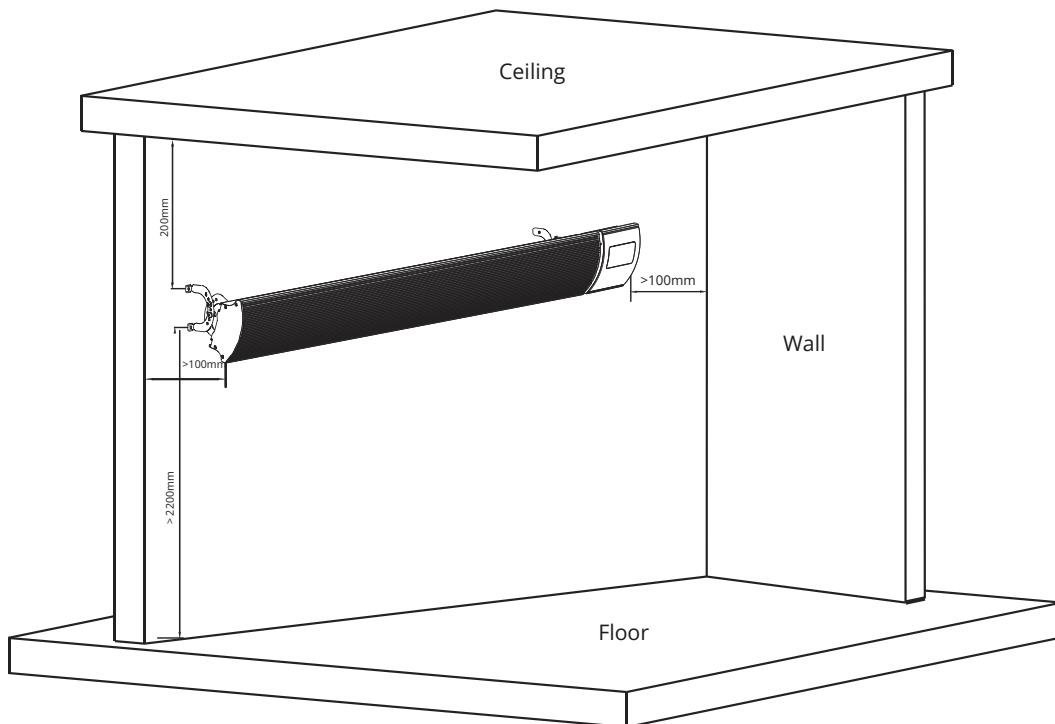
Step Three: Connect the brackets on the back of the heater to the brackets on the wall at your desired angle, using the wing nuts provided to fix them, as shown in Fig. C.

1

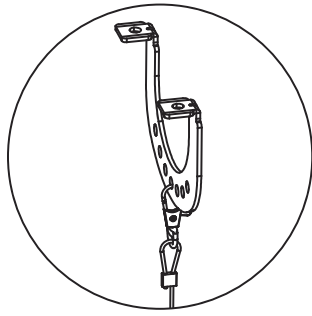


For ceiling installation: the distance between the side of the heater and the wall should be at least 100mm, as shown in Fig. 1.

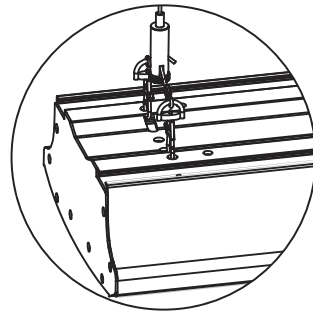
2



For wall installations, the height from the floor should be at least 2.2 metres, as shown in Fig.2.

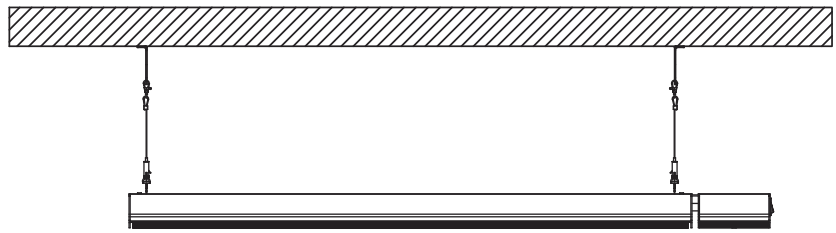
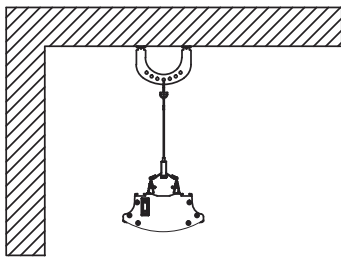


A1



B1

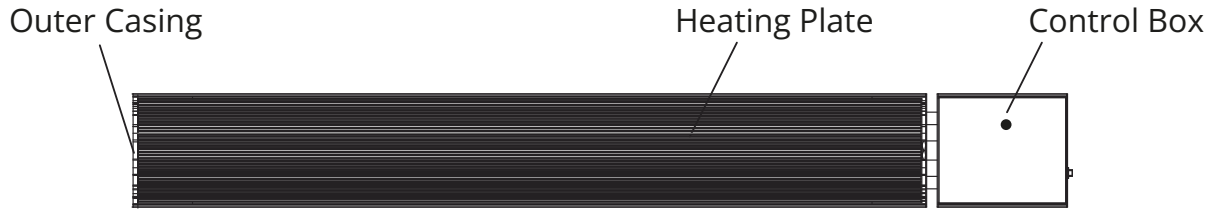
3



(Spare parts purchased separately)

For suspended installation, the heater will hook up to the suspension cables and hang from the ceiling, as shown in Fig. 3.

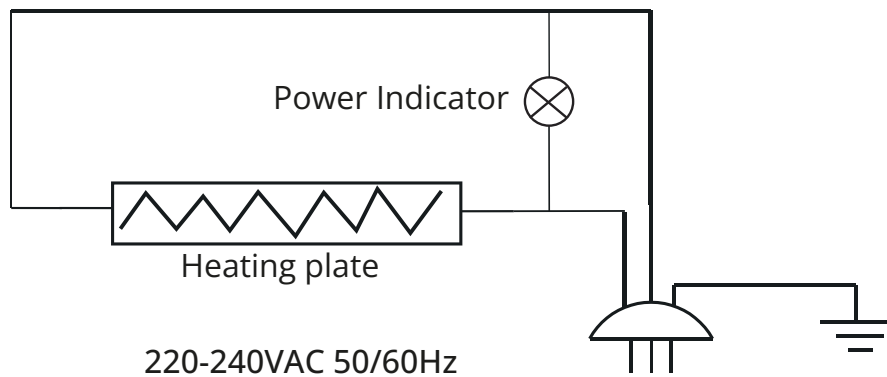
PRODUCT INSTRUCTIONS FOR HELIOS NON-REMOTE HEATERS



Product Size

Model	Power	Length (mm)	Width (mm)	Height (mm)
MS-HEL-12J MS-HELREM-12D	1200W	940	150	65
MS-HEL-18J MS-HELREM-18D	1800W	1240	150	65
MS-HEL-24J MS-HELREM-24D	2400W	1540	150	65
MS-HEL-30J MS-HELREM-30D	3000W	1840	150	65

Circuit Diagram



1. Before first use, please read this manual carefully.
 - 1.1. When removing the heater from the box, please take care to ensure that you do not damage the heater, and that you retain the box for storage purposes.
 - 1.2. Install the heater according to the instructions provided in this manual.
 - 1.3. The heater should be connected to its own power supply, as it should not share a circuit with other high-power appliances, otherwise the circuit may overload.
2. Upon connecting the heater to a power supply, the heater will switch on.
3. Please be aware that the front of the heater does get very hot when in operation, so please take care to ensure you do not touch the heater when it is on.

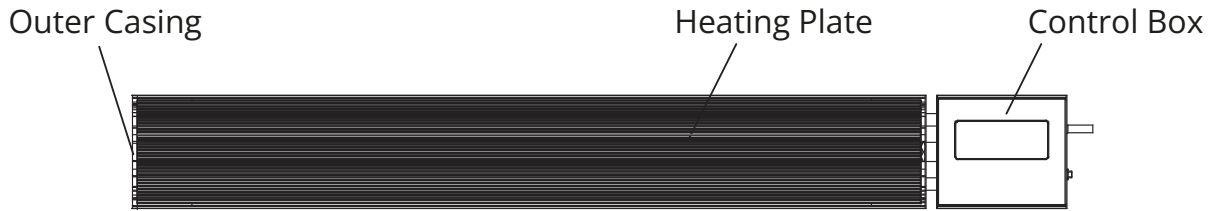
4. Replacement of Power Cord

Should the power cord become damaged, it must be replaced by a qualified electrician or the manufacturer.

5. Child Supervision

This heater is not intended for use by children or vulnerable people without supervision.

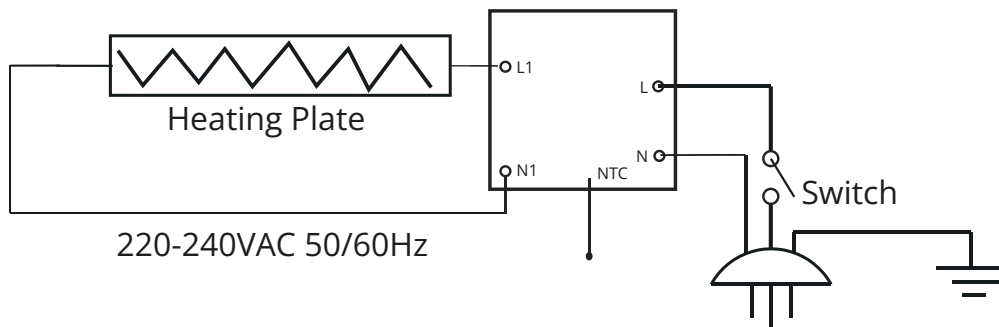
PRODUCT INSTRUCTIONS FOR HELIOS REMOTE CONTROLLABLE HEATERS



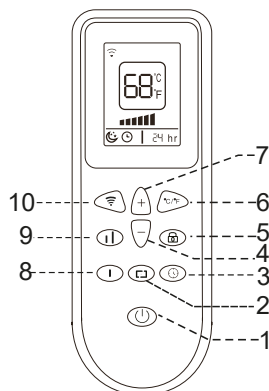
Product Size

Model	Power	Length (mm)	Width (mm)	Height (mm)
MS-HEL-12J MS-HELREM-12D	1200W	940	150	65
MS-HEL-18J MS-HELREM-18D	1800W	1240	150	65
MS-HEL-24J MS-HELREM-24D	2400W	1540	150	65
MS-HEL-30J MS-HELREM-30D	3000W	1840	150	65

Circuit Diagram



Remote Control



1. On/Off Button
2. Display Button
3. Timer Button
4. Down Button
5. Lock Button
6. C/F Button
7. Up Button
8. Low Power Button
9. High Power Button
10. Wi-Fi Reset Button

Before first use, please read the following points carefully:

- When removing the heater from the box, please take care to ensure that you do not damage the heater, and that you retain the box for storage purposes.
Install the heater according to the instructions provided in this manual.
- The heater should be connected to its own power supply, and should not share a circuit with other high-power appliances, otherwise the circuit may overload.
- Please ensure that the power switch located on the side of the heater is in the Off position before connecting to your electrical supply.
- To switch the heater on, put the power switch on the side of the heater into the On position. You will see the display light up on the front of the heater, which will display the current room temperature.
- Please be aware that this heater will get hot whilst in use. To prevent injury, do not touch the heater when it is on, and allow at least 1 hour after disconnecting from the power supply before touching it.
- For repairs and servicing, please get in contact with the retailer from which you purchased your Bar Heater.
- If there is any damage to the power cord, you must stop using the heater immediately, and get it repaired by contacting the retailer from which you purchased your Bar Heater.
- This heater is not to be used by children or other vulnerable people without supervision from an adult.

Using Your Remote Control

Scan this QR code to view our video guide to your remote.



1. To lock the heater, press the Lock Button on your remote. When locked, no other keys will function.
2. To toggle the screen on and off, press the Display Button.

-
3. To use the automatic temperature control feature, use the Up Button and Down Button to set your target temperature in 1°C increments, up to a maximum temperature of 45°C, which you can see on the screen. Once set, the screen will revert back to displaying the current room temperature.
 4. To use the timer settings, press the Timer Button, and then use the Up Button and Down Button to set the time in 1 hour increments, up to a maximum of 24 hours. Press the Timer Button to save your settings, after which, the screen will display the number of hours your heater is due to stay on for.
 5. By default, the Open Window Functionality is disabled. To enable it however, press the Wi-Fi Reset Button followed by the Display Button within 5 seconds. You will see the display show the word ON. Repeat this process to switch the Open Window Detection off.
 6. When the temperature drops by 3°C or more within a two minute window, the Open Window Detection will trigger, and the heater will switch off. The display will flash and the heater will make a clicking sound. You can override this by simply switching the heater back on.
When the heater is on, you can reset the Wi-Fi settings (thus putting it into pairing mode) by pressing the Wi-Fi Reset Button 5 times continuously. You will then see the Wi-Fi icon flashing on the display.
 7. To switch the heater down to 50% power, press the Low Power Button. To switch back to 100% power, press the High Power Button.
 8. To switch between Celsius and Fahrenheit, press the C/F Button.
 9. To put your heater into standby mode, press the On/Off Button.

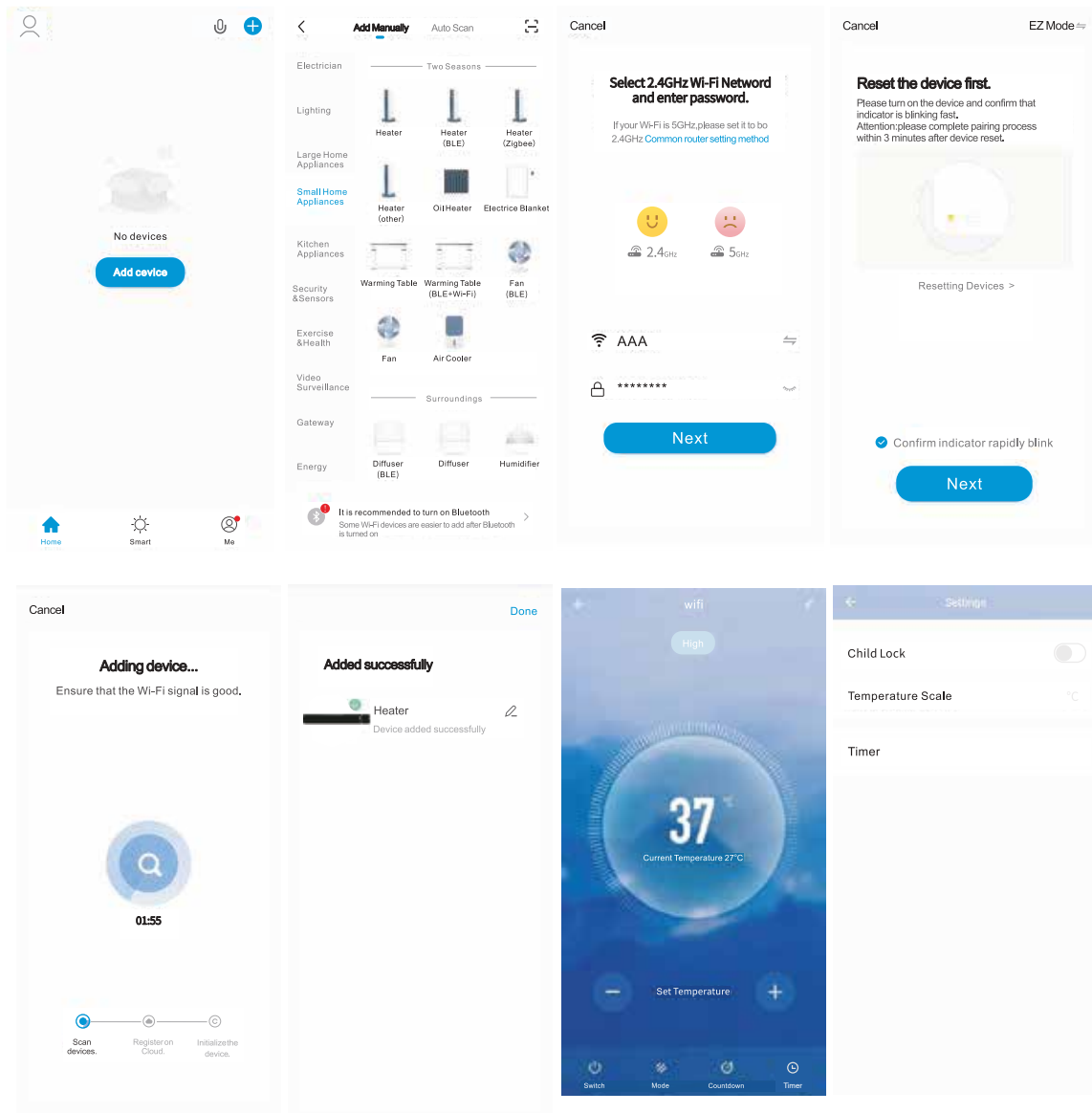
PAIRING YOUR REMOTE CONTROL HELIOS BAR HEATER TO YOUR WI-FI NETWORK

Scan this QR code to view our video guide on pairing your heater to your Wi-Fi network.



1. Before starting, ensure your smart device is connected to a 2.4GHz Wi-Fi signal. All Wi-Fi routers emit a 2.4GHz signal, but some new models also emit 5GHz. You can normally tell at a glance which signal is which, because 5GHz networks will contain a "5" or "5G" somewhere in the name.
2. Using your mobile phone, scan the QR code below to download and install the Smart Life app.
3. Now, you'll need to put your heater into Wi-Fi pairing mode. To do this, press the Wi-Fi Reset Button 5 times continuously. The Wi-Fi symbol will begin to flash on the screen.
4. Open the app, tap 'add device' or click the "+" symbol in the top right corner. Select "Small Home Appliances" on the left menu, and then select "Heater", click OK, then connect to your Wi-Fi. Enter your password, click to confirm and the connection should be successful.
5. If the Wi-Fi connection falls, you'll need to reset your Wi-Fi before attempting to reconnect.





7-DAY TIMER

Using The 7-Day Timer With Your Heater:

1. On the home screen of the Smart Life app, press the 'Timer' button in the bottom right corner.
2. Then, press 'Add' in the middle of your screen.
3. The following screen allows you to set your timer settings:
4. Use the sliders at the top of the screen to set what time you want your heater to switch on or off.
5. Press the 'Repeat' button to set which days you would like the timer to occur on, if any.
6. Press the 'Note' button to set a note for that particular timer setting.
7. Press the 'Switch' button to set whether you want the heater to switch on or off at the time you have set.

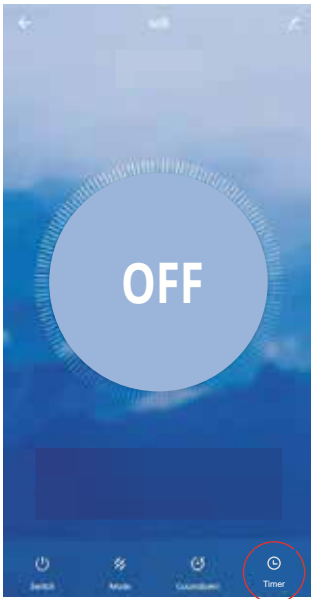


Figure 1

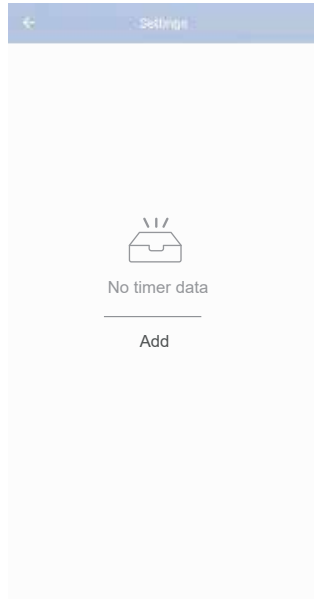


Figure 2

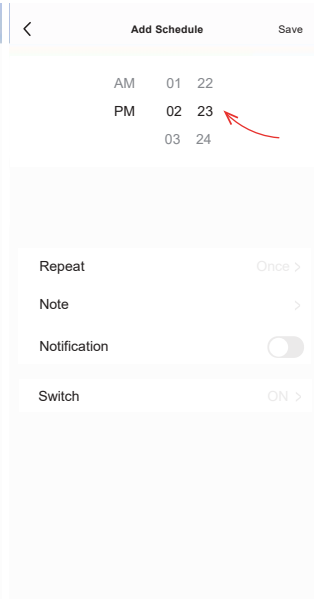


Figure 3

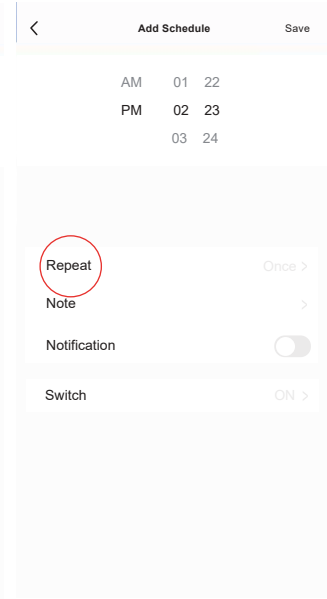


Figure 4

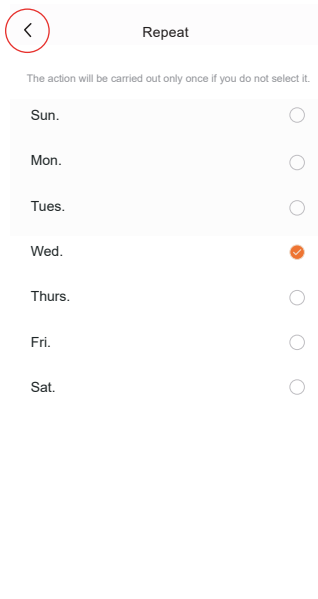


Figure 5

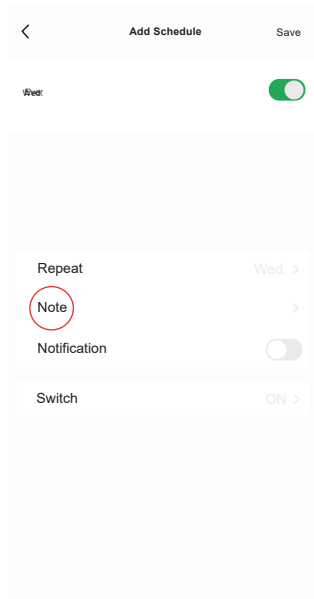


Figure 6

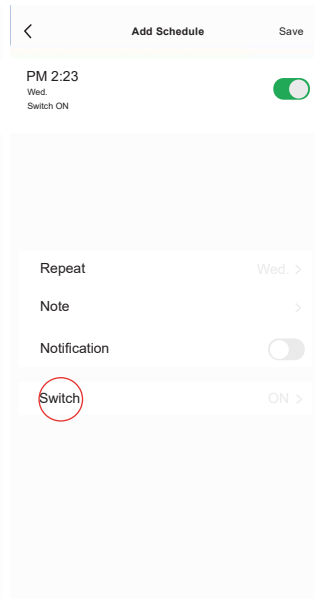


Figure 7



Figure 8

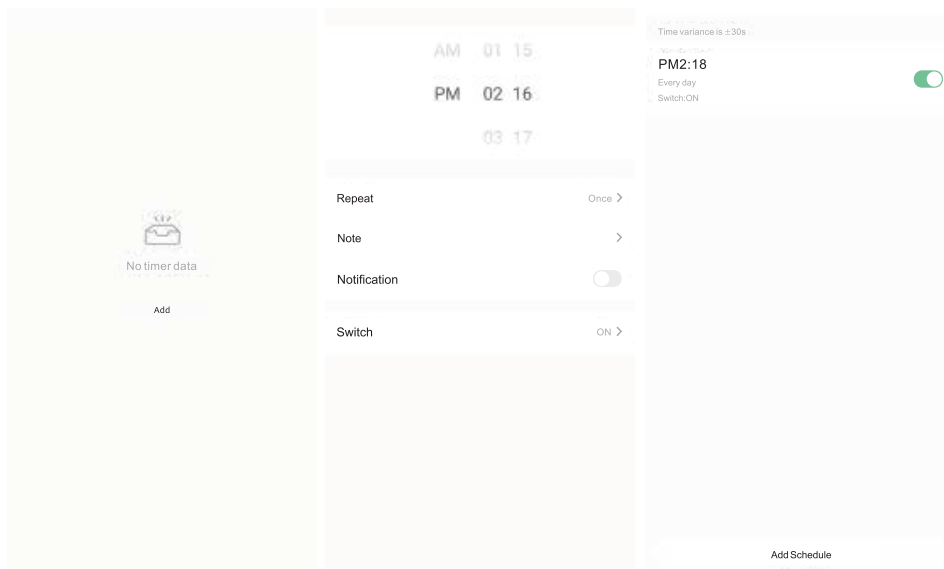


Table for information requirements for electric local space heaters

Model identifier(e):		MS-HEL-12J MS-HELREM-12D	MS-HEL-18J MS-HELREM-18D	MS-HEL-24J MS-HELREM-24D	MS-HEL-30J MS-HELREM-30D	
Item	Symbol	Value				Unit
Heat output						
Nominal heat output	P _{nom}	1.2	1.8	2.4	3.0	kW
Minimum heat output (indicative)	P _{min}	0.6	0.9	1.1	1.4	kW
Maximum continuous heat output)	P _{max}	1.1	1.8	2.3	2.8	kW
Auxiliary electricity consumption						
At nominal heat output	e _{lma}	1.137	1.760	2.283	2.768	kW
At minimum heat output	e _{lmin}	0.576	0.878	1.125	1.415	kW
In standby mode	e _{lSB}	0.3	0.4	0.17	0.3	W
Item						Unit
Type of heat input, for electric local space heaters only (select one)						
Manual heat charge control with integrated thermostat						[No]
Manual heat charge control with room and/or outdoor temperature feedback						[No]
Electronic heat charge control with room and/or outdoor temperature feedback						[No]
Fan assisted heat output						[No]
Type of heat output/room temperature control (select one)						
Single stage heat output and no room temperature control						[No]
Two or more manual stages, no room temperature control						[No]
With mechanic thermostat room temperature control						[No]
With electronic room temperature control						[No]
Electronic room temperature control plus day timer						[Yes]
Electronic room temperature control plus week timer						[No]
Other control options (multiple selections possible)						
Room temperature control, with presence detection						[No]
Room temperature control, with open window detection						[Yes]
With distance control option						[Yes]
With adaptive start control						[No]
With working time limitation						[No]
With black bulb sensor						[Yes]
Contact details:						
Remark: For electric local space heaters. the measured seasonal space heating energy efficiency q _s cannot be worse than the declared value at the nominal heat output of the unit.						

WARNING

1. Please ensure that the heater is installed correctly, as per this instruction manual, and that it is facing the correct way.
2. The heater should be installed in a place where the controls cannot be used by someone who is using a bath or a shower.
3. The heater should not be installed directly above an electrical socket.
4. Please consult a qualified electrician if there is any damage to the power cord on your heater.
5. Before moving your heater, make sure it has sufficiently cooled down.
6. Do not leave young or vulnerable people like the elderly or the disabled unsupervised in a room when the heaters are in use.
7. Please ensure that the heater is not installed in close proximity to furniture, curtains or any other objects in the home that could be flammable.

When disposing of your heater, please use your local rubbish collection facilities rather than using your general waste services. Contact your local council for information regarding these collection services. Should the heater be disposed of in a landfill or dump, there is a risk of hazardous substances leaking into the groundwater, which then has a knock-on effect on the local food chain, potentially damaging your health and well-being.



MIRRORSTONE

INFRARED HEATING



sales@mirrorstone.co.uk

www.mirrorstoneheating.co.uk

86 Scudamore Road Leicester, LE3 1UQ

+44 (0) 116 436 2250